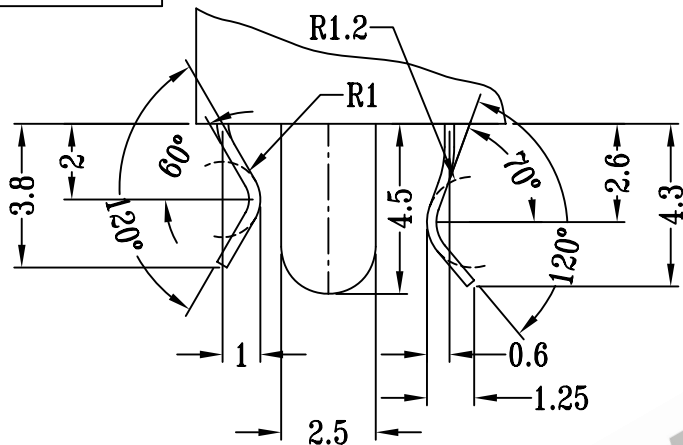
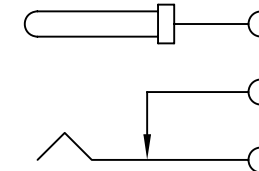
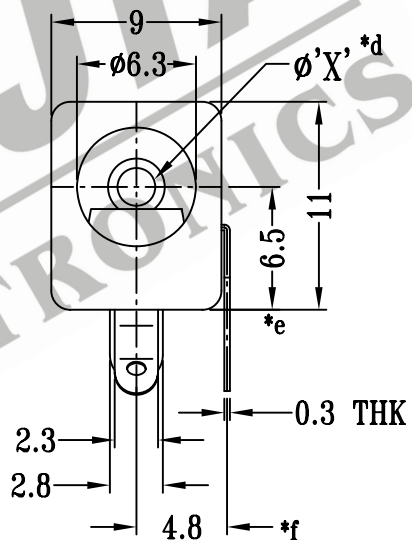
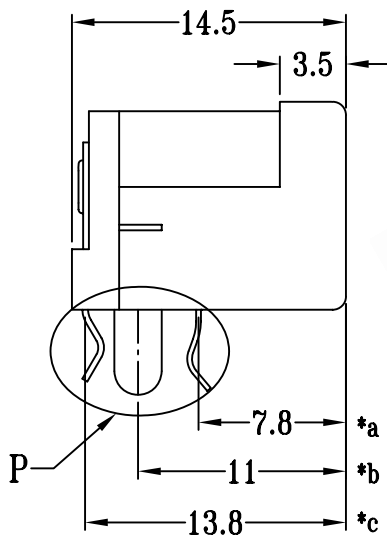


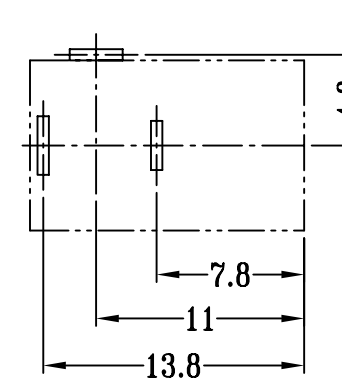
CAD FILE:



DETATL : P
SCALE 5 : 1



SCHEMATIC



P.C.B LAYOUT

注: "*"表示关键尺寸(6个)

DIA. OF PIN 'A'=2.5mm
DIA. OF PIN 'B'=2.0mm

NO.	PARTS	MATERIALS	Q'TY	FINISH	TOLERANCE UNLESS SPECIFIED	SHENZHEN XIEJIA ELECTRONICS CO.,LTD.				
8										
7										
6	PLUG PIN	BRASS	1	Ni PLATED	WITHIN: 1.5±0.1mm OVER : 1.5±0.2mm	ISSUE	DATE	DESCRIPTIONS OF REVISION		APPD.
5	CONTACT	BRASS STRIP	1	Ag PLATED OVER Ni PLATED						
4	TERMINAL	BRASS STRIP	1	Ag PLATED OVER Ni PLATED						
3	SPRING TERMINAL	PBS STRIP	1	Ag PLATED OVER Ni PLATED	TITLE : DC POWER JACK	UNIT : mm	DRWG NO.: XJ-DR-DS241-00			
2	COVER	PC/PBT	1	BLACK	MODEL: DS-241	SCALE: 5:2	DWN.	ZHOUYU	2002-8-28	
1	CASE	PC/PBT	1	BLACK			CHK'D	FANGYING	2002-8-28	
					ALL MATERIALS MUST BE COMPLIANT TO ROHS		APPD.	KANGXINAN	2002-8-28	